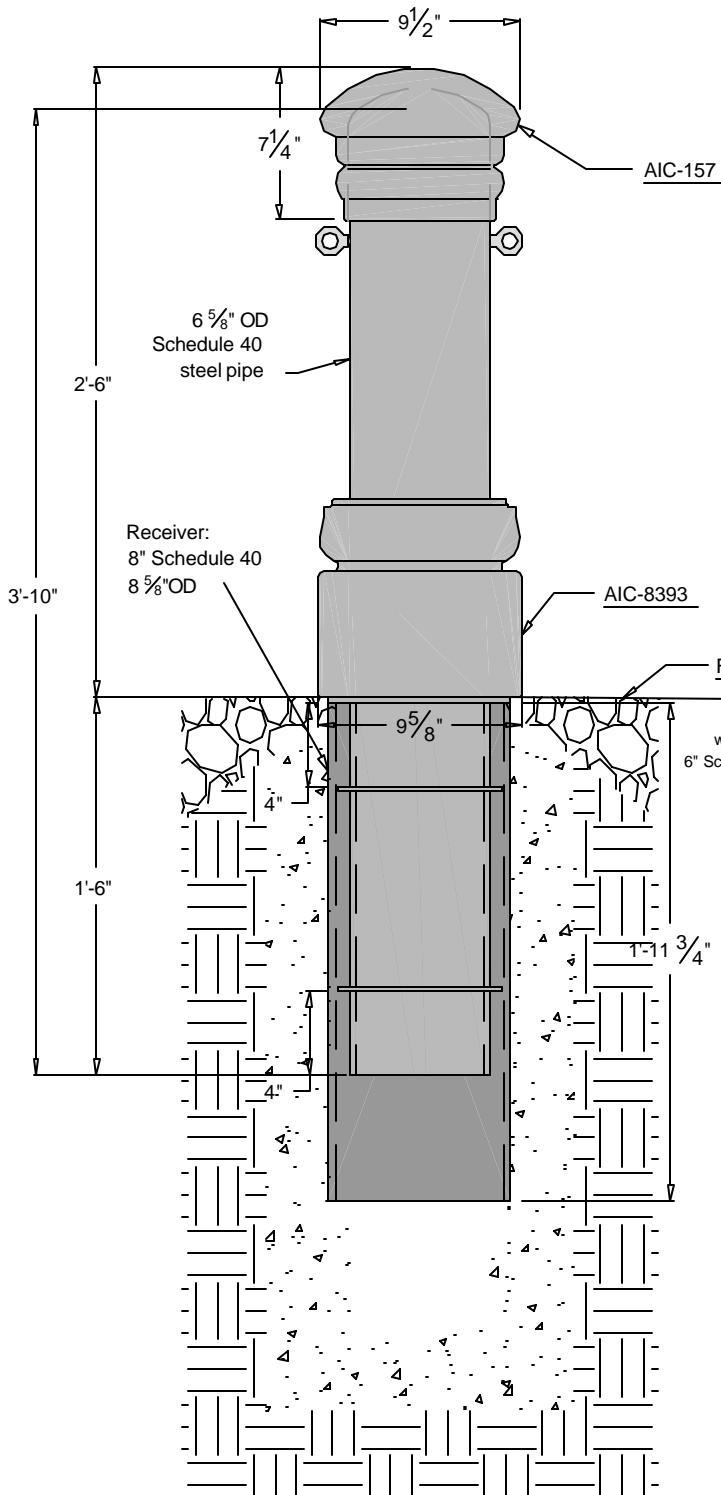


# American Bollard

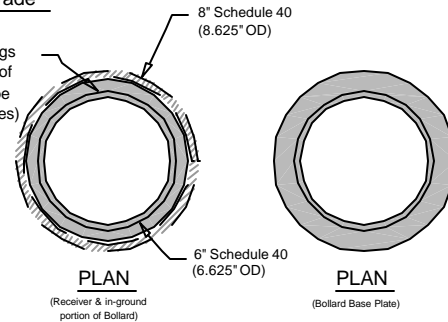


## Notes:

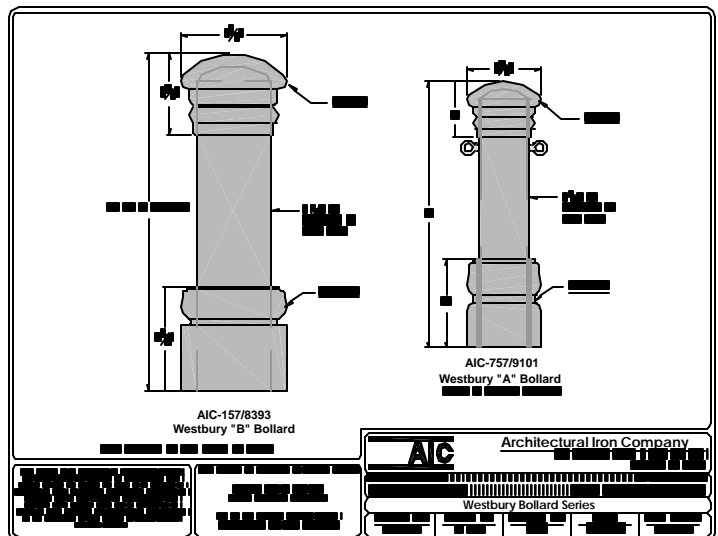
- 1) Bollard is provided as shown.
- 2) Embedment details are for reference illustration only.
- 3) Optional eyebolts may be added for chains (call for pricing).
- 4) Overall height may be adjusted (call for pricing).
- 5) Available as components or assembled unit.
- 6) Assembled units are shipped primed.
- 7) This bollard is part of the Westbury Bollard Series (See drawings AIC-WBB and AIC-757/9101)
- 8) This style also available in Direct Burial, Removable/Lockable, and Flange/Surface Mount versions.

## Weights:

AIC-157 = 32 lbs.  
 AIC-8393 = 48 lbs.  
 Bollard assembly = 156 lbs.  
 Receiver = 58 lbs.



Rev 12-08-08



THIS DRAWING IS NOT DRAWN TO SCALE  
 Copyright 2006-2008 Architectural Iron Company, Inc. All rights reserved.

THIS DRAWING IS AN INSTRUMENT OF PROFESSIONAL SERVICE AND SHALL REMAIN THE PROPERTY OF ARCHITECTURAL IRON COMPANY WHETHER THE PROJECT FOR WHICH IT IS PREPARED IS EXECUTED OR NOT. NO CHANGES, ALTERATIONS, ADDITIONS, OR DELETIONS MAY BE MADE EXCEPT BY ARCHITECTURAL IRON COMPANY. THIS DRAWING SHALL NOT BE REPRODUCED BY ANYONE ON OTHER PROJECTS, FOR ADDITIONS TO THIS PROJECT, OR FOR COMPLETION OF THIS PROJECT BY OTHERS WITHOUT WRITTEN CONSENT.

This drawing is available in AutoCad format.

Material used is cast iron unless otherwise specified.

Due to the casting process actual measurements may vary slightly.

**AIC** Architectural Iron Company  
 104 Ironwood Court / P.O. Box 126  
 Milford, PA 18337  
 800-442-IRON/4766 Fax: 570-296-IRON/4766  
 www.architecturaliron.com E-mail: info@architecturaliron.com

**Westbury 'B' Bollard - Removable**

Drawing No.	Drafted By:	Checked By:	Date:	Part Number
AIC-157-8393R	B. Hale	D.Q.	08/11/06	AIC-157-8393R