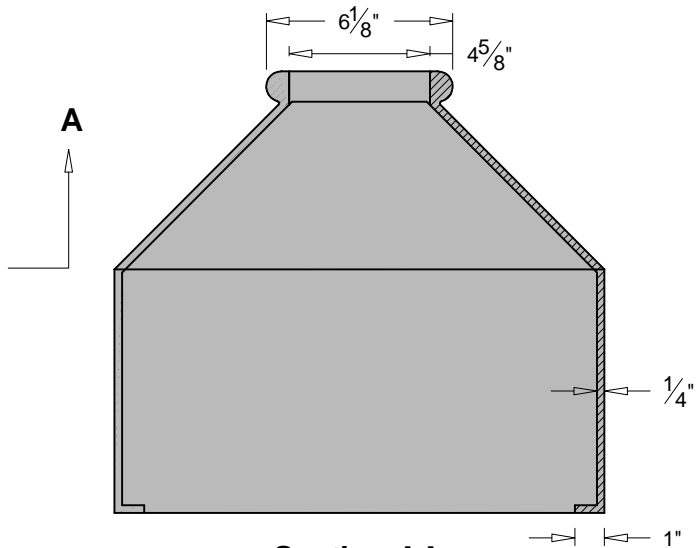
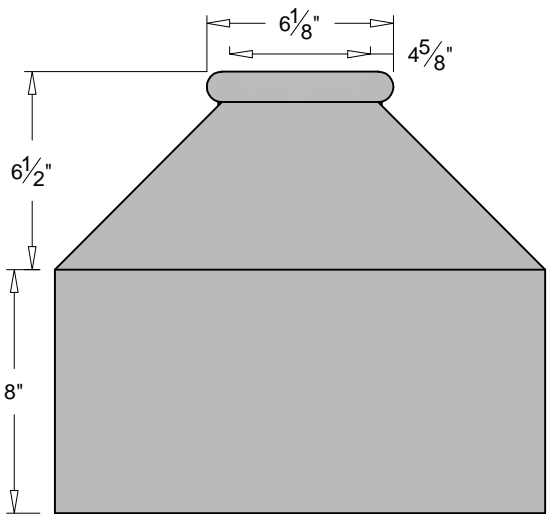


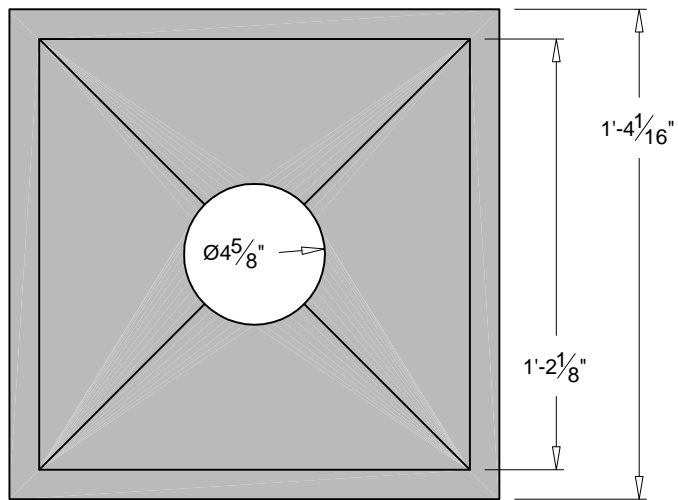
PLAN



Section AA



Front Elevation



PLAN Reflected




RELATED CASTINGS:
AIC-160 thru AIC-167

Estimated Weight: 80 lbs.

Rev. 1-6-09

THIS DRAWING IS NOT DRAWN TO SCALE
Copyright 2007-2009 Architectural Iron Company, Inc. All rights reserved.

		Architectural Iron Company 104 Ironwood Court / P.O. Box 126 Milford, PA 18337		
		800-442-IRON/4766 www.architecturaliron.com	Fax: 570-296-IRON/4766 E-mail: info@architecturaliron.com	
New Bern Post Base Cap				
Drawing No. AIC-162	Drafted By: B. Hale	Checked By: D.O.	Date: 09/19/07	Part Number AIC-162

THIS DRAWING IS AN INSTRUMENT OF PROFESSIONAL SERVICE AND SHALL REMAIN THE PROPERTY OF ARCHITECTURAL IRON COMPANY WHETHER THE PROJECT FOR WHICH IT IS PREPARED IS EXECUTED OR NOT. NO CHANGES, ALTERATIONS, ADDITIONS, OR DELETIONS MAY BE MADE EXCEPT BY ARCHITECTURAL IRON COMPANY. THIS DRAWING SHALL NOT BE REPRODUCED BY ANYONE ON OTHER PROJECTS, FOR ADDITIONS TO THIS PROJECT, OR FOR COMPLETION OF THIS PROJECT BY OTHERS WITHOUT WRITTEN CONSENT.

This drawing is available in AutoCad format.

Material used is cast iron unless otherwise specified.

Due to the casting process actual measurements may vary slightly.