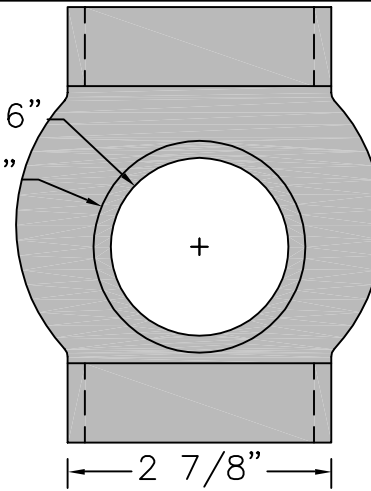


$\phi 1 \ 15/16''$
 $\phi 2 \ 5/16''$



$\leftarrow 2 \ 7/8'' \rightarrow$

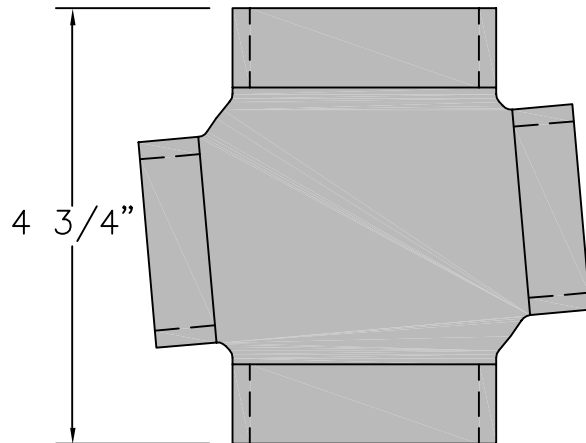
Note: This is for use on a 1:12 handicap ramp.

Related Castings:

- AIC 471
- AIC 492
- AIC 316
- AIC 318
- AIC 489

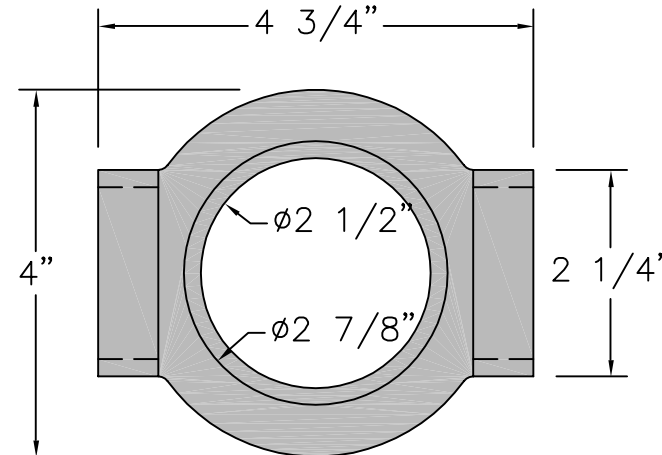
SIDE VIEWS

WEIGHT 3 LBS. 4 OZ.



$4 \ 3/4''$

FRONT / BACK VIEW



$4''$

$4 \ 3/4''$

$\phi 2 \ 1/2''$

$\phi 2 \ 7/8''$

$2 \ 1/4''$

TOP & BOTTOM VIEW

Rev. 1-15-08

THIS DRAWING IS NOT DRAWN TO SCALE

Copyright 2004, 2007, 2008 Architectural Iron Company, Inc. All rights reserved.

THIS DRAWING IS AN INSTRUMENT OF PROFESSIONAL SERVICE AND SHALL REMAIN THE PROPERTY OF ARCHITECTURAL IRON COMPANY WHETHER THE PROJECT FOR WHICH IT IS PREPARED IS EXECUTED OR NOT. NO CHANGES, ALTERATIONS, ADDITIONS, OR DELETIONS MAY BE MADE EXCEPT BY ARCHITECTURAL IRON COMPANY. THIS DRAWING SHALL NOT BE REPRODUCED BY ANYONE ON OTHER PROJECTS, FOR ADDITIONS TO THIS PROJECT, OR FOR COMPLETION OF THIS PROJECT BY OTHERS WITHOUT WRITTEN CONSENT.

Note:

Material: Ductile Iron

- 1) Designed for insert fit by 1 1/2" & 2" nominal pipe (1.9" O.D. & 2.375" O.D.).
- 2) This fitting is available in a straight version.



Architectural Iron Company

104 Ironwood Court / P.O. Box 126
 Milford, PA 18337

800-442-IRON/4766

Fax: 570-296-IRON/4766

www.architecturaliron.com

E-mail: info@architecturaliron.com

SLOPED PIPE RAIL CROSS

Drawing No.	Drafted By:	Checked By:	Date:	Part Number
AIC-317	W.A./J.W./J.R.	D.Q.	12/07/04	AIC-317