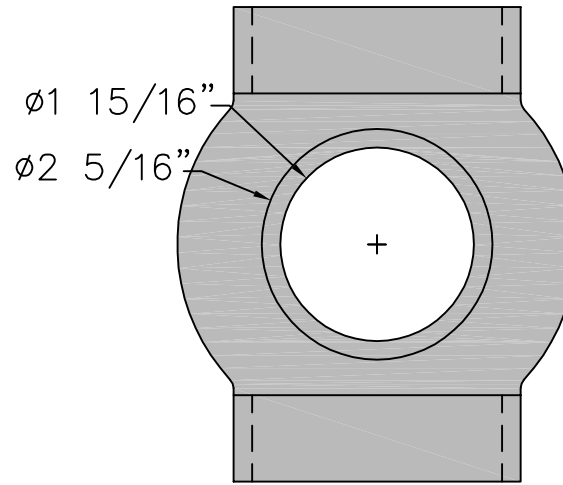
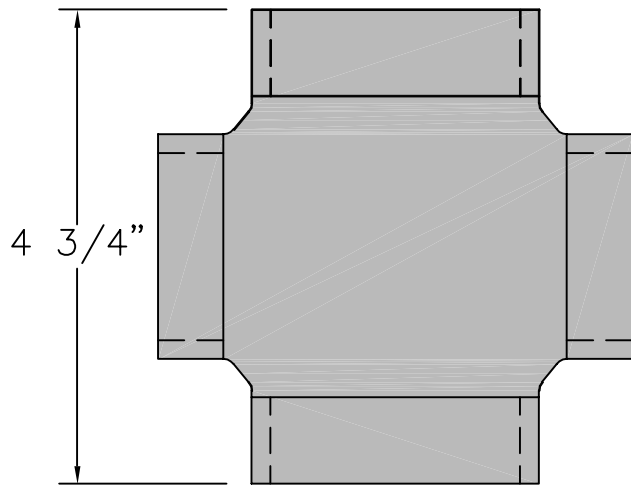


TOP VIEW

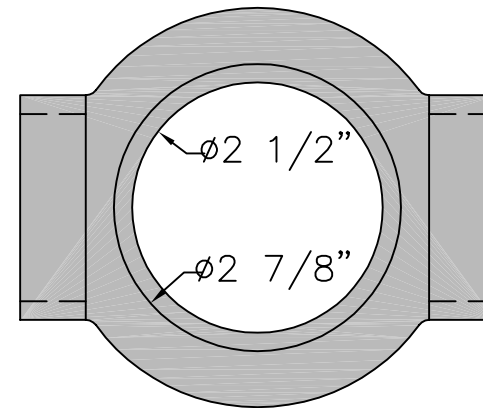


LEFT & RIGHT VIEW

Related Castings:
 AIC 471
 AIC 492
 AIC 316-318
 WEIGHT 3 LBS. 4 OZ.



FRONT & BACK VIEW



BOTTOM VIEW

Rev. 1-18-08

THIS DRAWING IS NOT DRAWN TO SCALE
 Copyright 2003, 2007, 2008 Architectural Iron Company, Inc. All rights reserved.

THIS DRAWING IS AN INSTRUMENT OF PROFESSIONAL SERVICE AND SHALL REMAIN THE PROPERTY OF ARCHITECTURAL IRON COMPANY WHETHER THE PROJECT FOR WHICH IT IS PREPARED IS EXECUTED OR NOT. NO CHANGES, ALTERATIONS, ADDITIONS, OR DELETIONS MAY BE MADE EXCEPT BY ARCHITECTURAL IRON COMPANY. THIS DRAWING SHALL NOT BE REPRODUCED BY ANYONE ON OTHER PROJECTS, FOR ADDITIONS TO THIS PROJECT, OR FOR COMPLETION OF THIS PROJECT BY OTHERS WITHOUT WRITTEN CONSENT.

Note:
 Material: Ductile Iron
 1) Designed for insert fit by 1 1/2" & 2" nominal pipe (1.9" O.D. & 2.375" O.D.).
 2) This fitting is available in a sloped version (1:12) for handicapped ramps.

AIC Architectural Iron Company
 104 Ironwood Court / P.O. Box 126
 Milford, PA 18337

800-442-IRON/4766 Fax: 570-296-IRON/4766
 www.architecturaliron.com E-mail: info@architecturaliron.com

PIPE RAIL CROSS

Drawing No. AIC-489	Drafted By: W. Alfieri	Checked By: D.Q.	Date: 05/14/03	Part Number AIC-489
-------------------------------	----------------------------------	----------------------------	--------------------------	-------------------------------