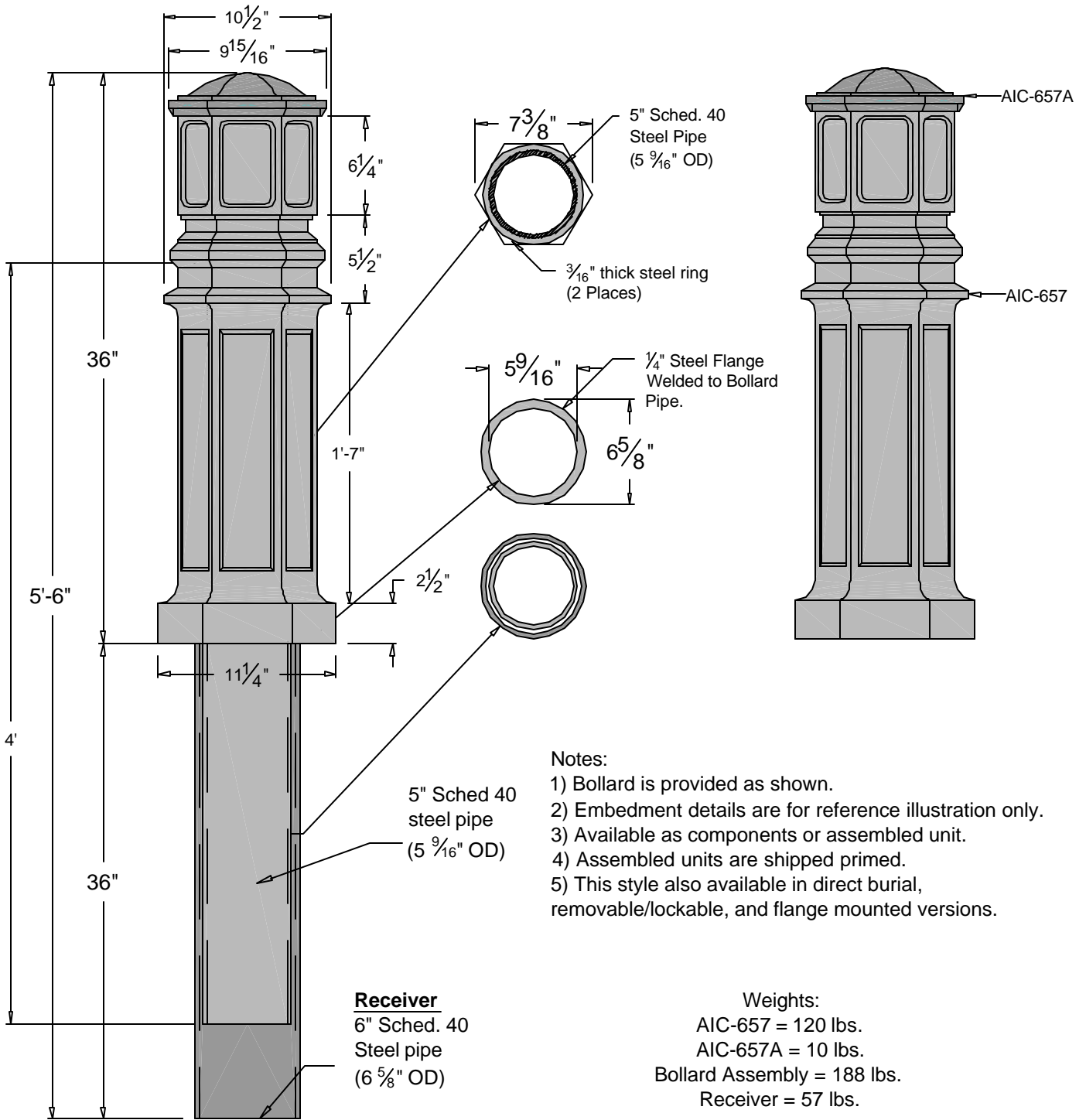


American Bollard



- Notes:
- 1) Bollard is provided as shown.
 - 2) Embedment details are for reference illustration only.
 - 3) Available as components or assembled unit.
 - 4) Assembled units are shipped primed.
 - 5) This style also available in direct burial, removable/lockable, and flange mounted versions.

Weights:
 AIC-657 = 120 lbs.
 AIC-657A = 10 lbs.
 Bollard Assembly = 188 lbs.
 Receiver = 57 lbs.

Receiver
 6" Sched. 40
 Steel pipe
 (6 5/8" OD)

Rev. 12-08-08

THIS DRAWING IS NOT DRAWN TO SCALE
 Copyright 2006-2008 Architectural Iron Company, Inc. All rights reserved.

		Architectural Iron Company 104 Ironwood Court / P.O. Box 126 Milford, PA 18337	
		800-442-IRON/4766 www.architecturaliron.com	Fax: 570-296-IRON/4766 E-mail: info@architecturaliron.com
Abingdon Bollard Assembly - Removable			
Drawing No. AIC-657R	Drafted By: B. Hale	Checked By: D.Q.	Date: 08/30/06
		Part Number AIC-657R	

THIS DRAWING IS AN INSTRUMENT OF PROFESSIONAL SERVICE AND SHALL REMAIN THE PROPERTY OF ARCHITECTURAL IRON COMPANY WHETHER THE PROJECT FOR WHICH IT IS PREPARED IS EXECUTED OR NOT. NO CHANGES, ALTERATIONS, ADDITIONS, OR DELETIONS MAY BE MADE EXCEPT BY ARCHITECTURAL IRON COMPANY. THIS DRAWING SHALL NOT BE REPRODUCED BY ANYONE ON OTHER PROJECTS, FOR ADDITIONS TO THIS PROJECT, OR FOR COMPLETION OF THIS PROJECT BY OTHERS WITHOUT WRITTEN CONSENT.

This drawing is available in AutoCad format.

Material used is cast iron unless otherwise specified.

Due to the casting process actual measurements may vary slightly.