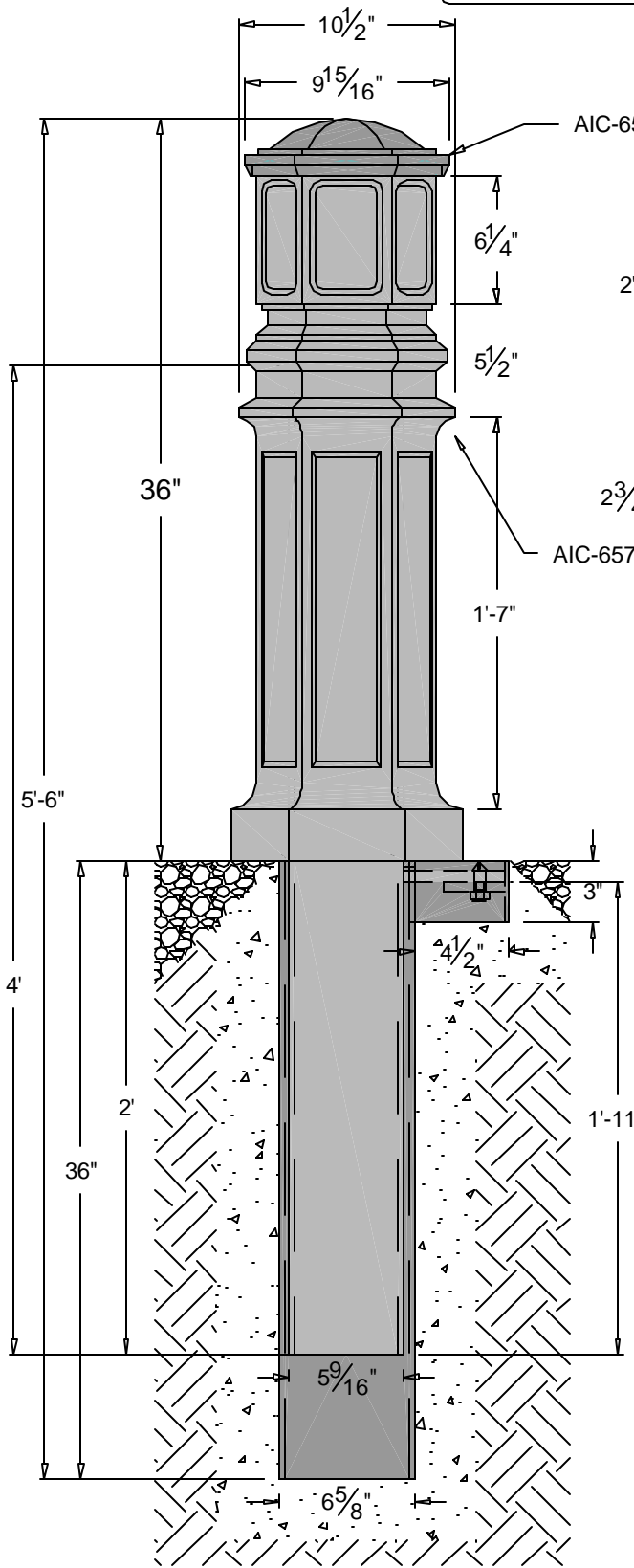


American Bollard



AIC-657A

2"

2 3/4"

AIC-657

Detail: Bollard Plan at locking interface

Detail: Receiver Plan at locking interface

Detail: Bollard & Receiver Plan at locking interface

Notes:

- 1) Bollard is provided as shown.
- 2) Embedment details are for reference illustration only.
- 3) Available as components or assembled unit.
- 4) Assembled units are shipped primed.
- 5) Securing bolt, 1 1/2" x 1/2" Keyed Lock Buttonhead 118-8 Stainless by The Bryce Company or approved equal, with flat washer, nut welded to lower flange, with (1) one key for every ten (10) bollards.
- 6) This style also available in direct burial, removable, and flange mounted versions.

Weights:

AIC-657 = 120 lbs.
 AIC-657A = 10 lbs.
 Bollard Assembly = 188 lbs.
 Receiver = 61 lbs.

Rev. 12-08-08

THIS DRAWING IS NOT DRAWN TO SCALE
 Copyright 2006-2008 Architectural Iron Company, Inc. All rights reserved.

THIS DRAWING IS AN INSTRUMENT OF PROFESSIONAL SERVICE AND SHALL REMAIN THE PROPERTY OF ARCHITECTURAL IRON COMPANY WHETHER THE PROJECT FOR WHICH IT IS PREPARED IS EXECUTED OR NOT. NO CHANGES, ALTERATIONS, ADDITIONS, OR DELETIONS MAY BE MADE EXCEPT BY ARCHITECTURAL IRON COMPANY. THIS DRAWING SHALL NOT BE REPRODUCED BY ANYONE ON OTHER PROJECTS, FOR ADDITIONS TO THIS PROJECT, OR FOR COMPLETION OF THIS PROJECT BY OTHERS WITHOUT WRITTEN CONSENT.

This drawing is available in AutoCad format.

Material used is cast iron unless otherwise specified.

Due to the casting process actual measurements may vary slightly.

AIC

Architectural Iron Company

104 Ironwood Court / P.O. Box 126
 Milford, PA 18337

800-442-IRON/4766

Fax: 570-296-IRON/4766

www.architecturaliron.com

E-mail: info@architecturaliron.com

Abingdon Bollard Assembly - Removable/Lockable

Drawing No.
 AIC-657RL

Drafted By:
 B. Hale

Checked By:
 D.Q.

Date:
 08/30/06

Part Number
 AIC-657RL