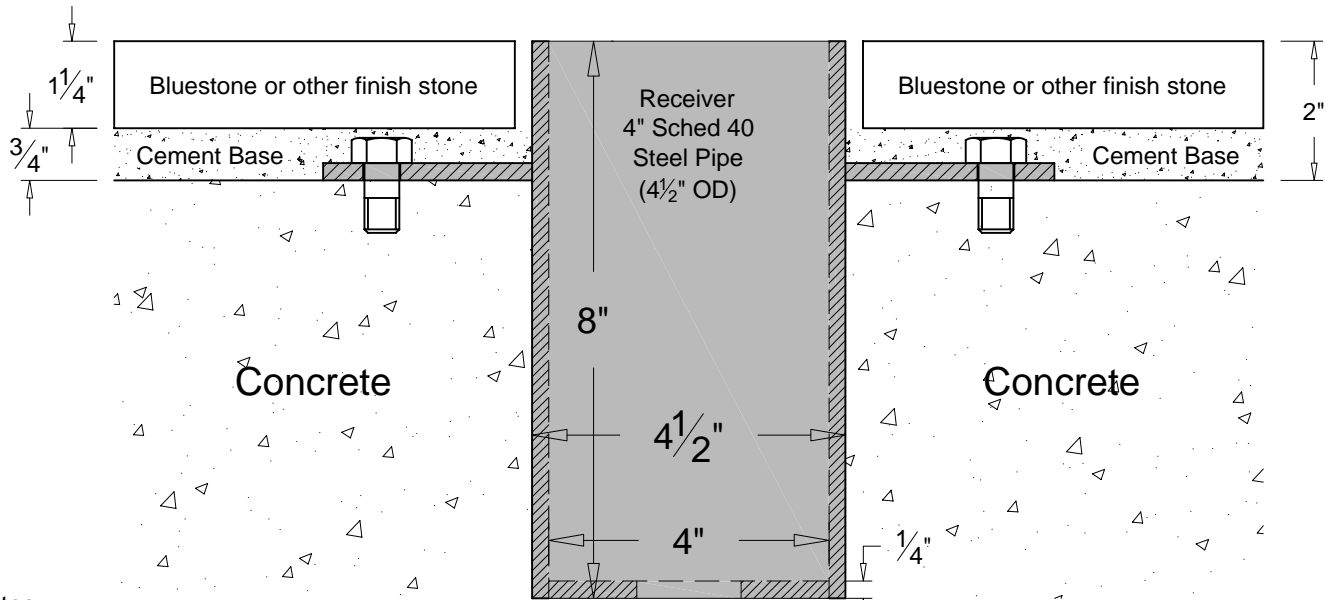
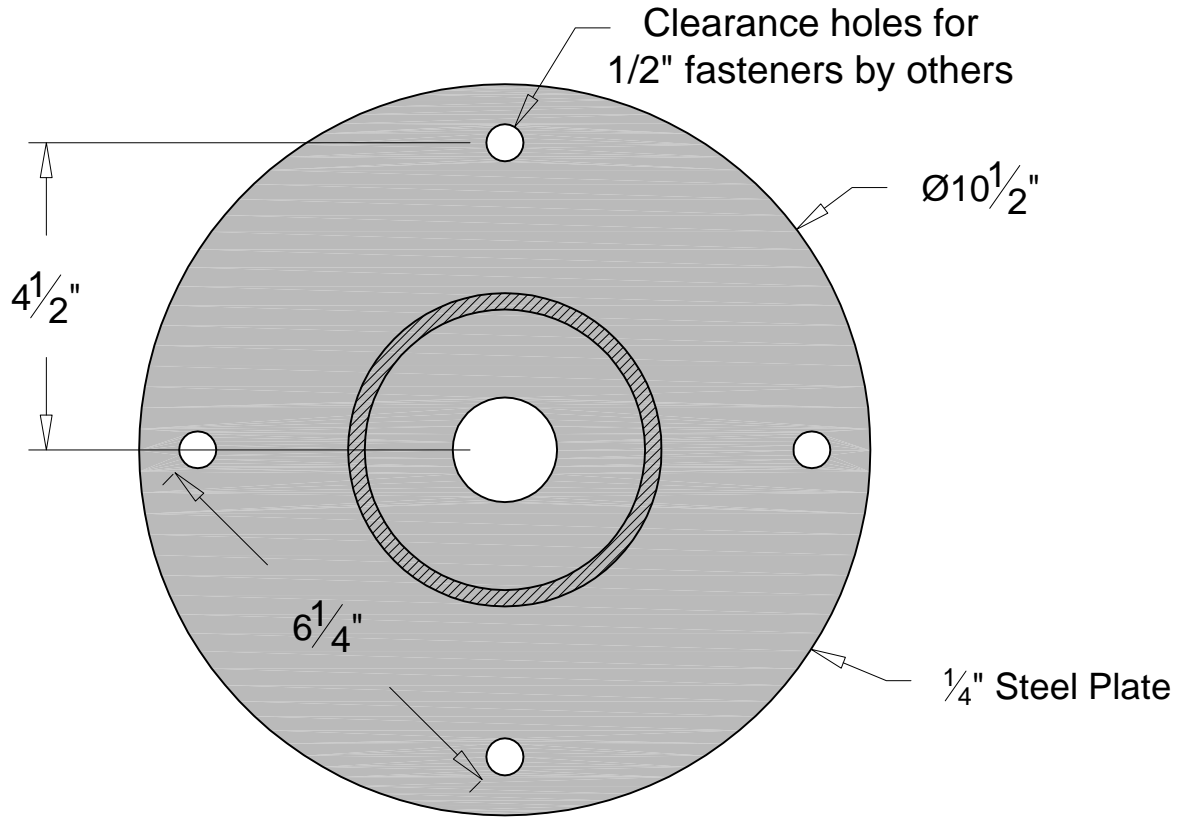


American Bollard



Notes:

- 1) We provide steel components only.
- 2) All other details are suggestions only and should be verified by a licensed engineer.

WEIGHT: 9 lbs.

THIS DRAWING IS NOT DRAWN TO SCALE
Copyright 2008 Architectural Iron Company, Inc. All rights reserved.

THIS DRAWING IS AN INSTRUMENT OF PROFESSIONAL SERVICE AND SHALL REMAIN THE PROPERTY OF ARCHITECTURAL IRON COMPANY WHETHER THE PROJECT FOR WHICH IT IS PREPARED IS EXECUTED OR NOT. NO CHANGES, ALTERATIONS, ADDITIONS, OR DELETIONS MAY BE MADE EXCEPT BY ARCHITECTURAL IRON COMPANY. THIS DRAWING SHALL NOT BE REPRODUCED BY ANYONE ON OTHER PROJECTS, FOR ADDITIONS TO THIS PROJECT, OR FOR COMPLETION OF THIS PROJECT BY OTHERS WITHOUT WRITTEN CONSENT.

This drawing is available in AutoCad format.

Material used is steel unless otherwise specified.

Due to the casting process actual measurements may vary slightly.

AIC

Architectural Iron Company

104 Ironwood Court / P.O. Box 126
Milford, PA 18337

800-442-IRON/4766

Fax: 570-296-IRON/4766

www.architecturaliron.com

E-mail: info@architecturaliron.com

Alternate Bollard Receiver for Bollards Using 3" Sched. 40 Steel Pipe

Drawing No.
AIC-AR4

Drafted By:
B. Hale

Checked By:
D.O.

Date:
04/25/08

Part Number
AIC-AR4