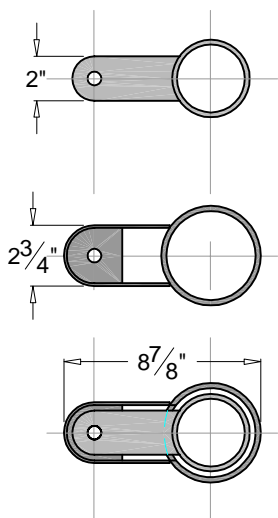
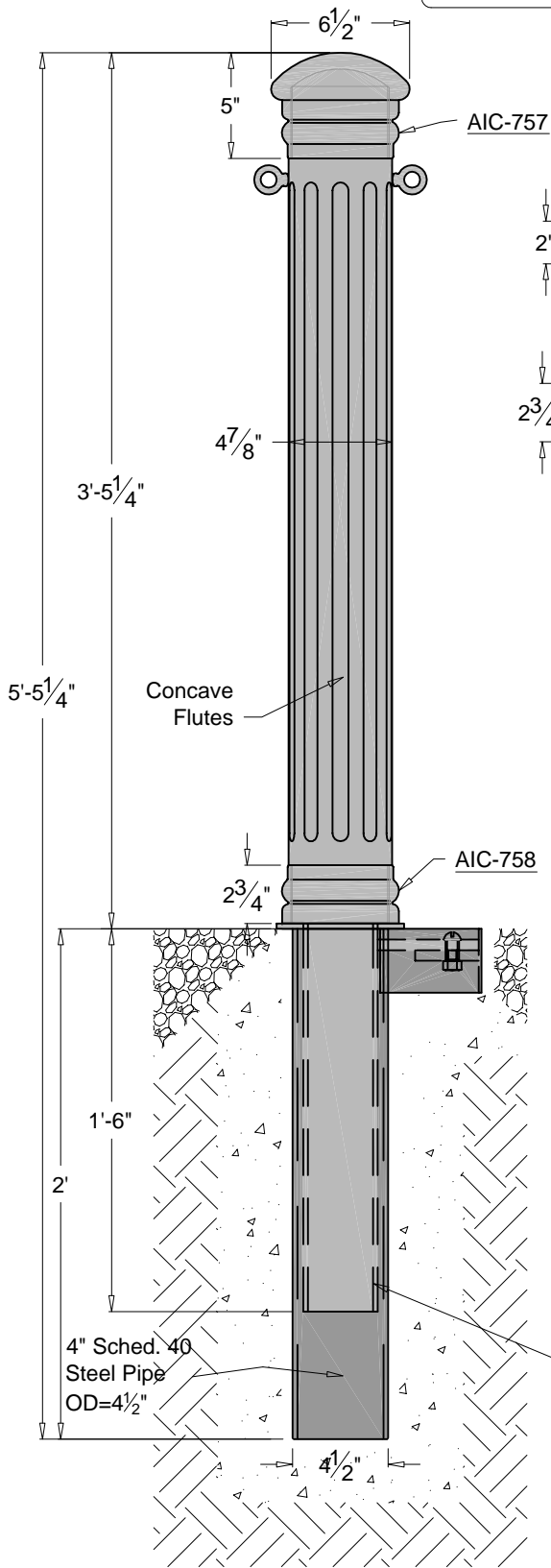


American Bollard



Detail: Bollard Plan at locking interface

Detail: Receiver Plan at locking interface

Detail: Bollard & Receiver Plan at locking interface

- Notes:
- 1) Bollard is provided as shown.
 - 2) Embedment details are for reference illustration only.
 - 3) Optional eyebolts may be added for chains (call for pricing).
 - 4) Overall height may be adjusted (call for pricing).
 - 5) Available as components or assembled unit.
 - 6) Assembled units are shipped primed.
 - 7) Securing bolt, 1 1/2"x 1/2" Keyed Lock Buttonhead 118-8 Stainless by The Bryce Company or approved equal, with flat washer, nut welded to lower flange, with (1) one key for every ten (10) bollards.
 - 8) This bollard is part of the Garden City Bollard Series. (See drawings AIC-GCB, AIC-157-158, and AIC-957-958)
 - 9) This style also available in direct burial, removable, and flange mounted versions.

Weights:
 Bollard assembly approximately 158 lbs.
 Receiver approximately 30 lbs.

Rev. 7-8-08

THIS DRAWING IS NOT DRAWN TO SCALE
 Copyright 2008 Architectural Iron Company, Inc. All rights reserved.

THIS DRAWING IS AN INSTRUMENT OF PROFESSIONAL SERVICE AND SHALL REMAIN THE PROPERTY OF ARCHITECTURAL IRON COMPANY WHETHER THE PROJECT FOR WHICH IT IS PREPARED IS EXECUTED OR NOT. NO CHANGES, ALTERATIONS, ADDITIONS, OR DELETIONS MAY BE MADE EXCEPT BY ARCHITECTURAL IRON COMPANY. THIS DRAWING SHALL NOT BE REPRODUCED BY ANYONE ON OTHER PROJECTS, FOR ADDITIONS TO THIS PROJECT, OR FOR COMPLETION OF THIS PROJECT BY OTHERS WITHOUT WRITTEN CONSENT.

This drawing is available in AutoCad format.

Material used is cast iron unless otherwise specified.

Due to the casting process actual measurements may vary slightly.

		Architectural Iron Company 104 Ironwood Court / P.O. Box 126 Milford, PA 18337		
		800-442-IRON/4766 www.architecturaliron.com	Fax: 570-296-IRON/4766 E-mail: info@architecturaliron.com	
Garden City 'A' Fluted Bollard - Removable/Lockable				
Drawing No. AIC-75758RL-F	Drafted By: B. Hale	Checked By: D.Q.	Date: 04/17/08	Part Number AIC-75758RL-F