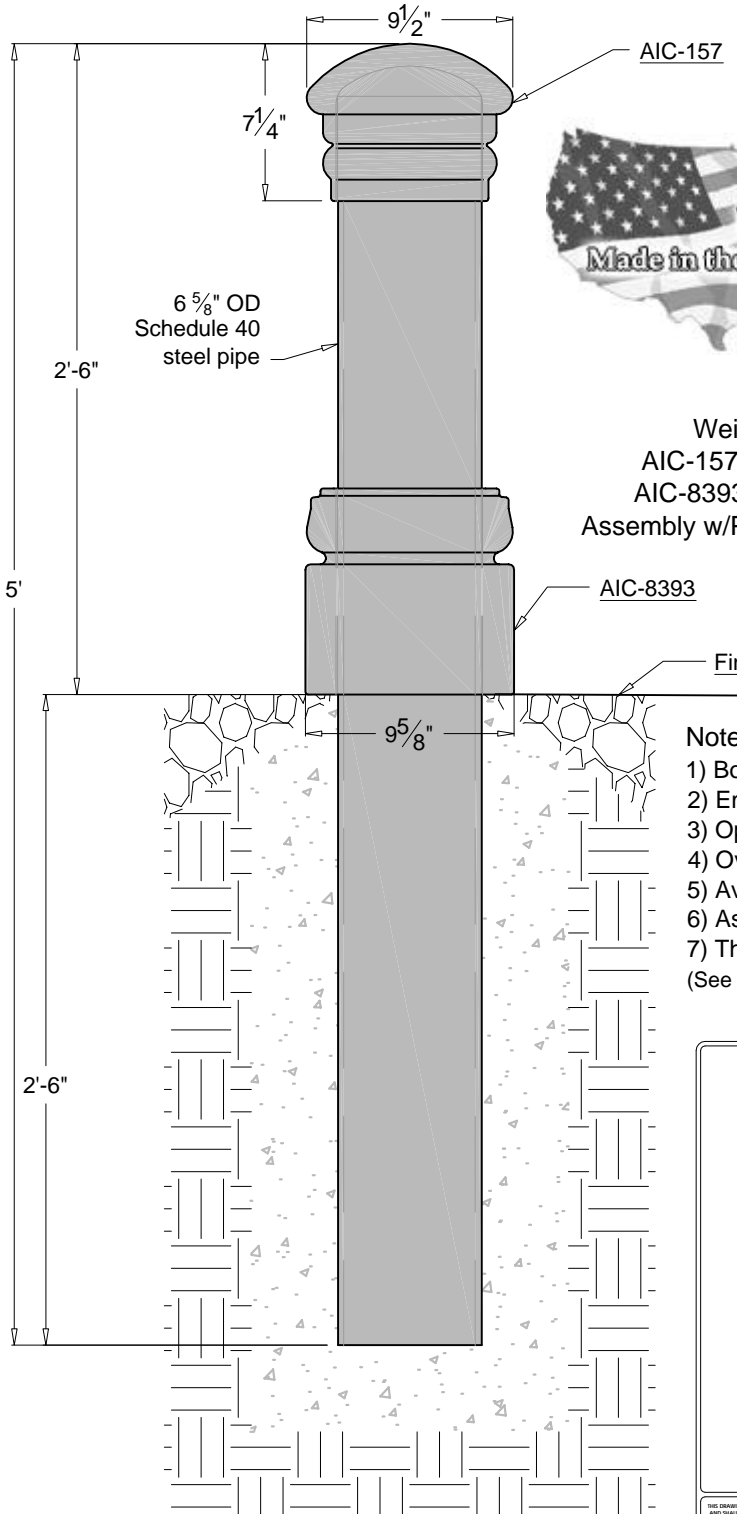
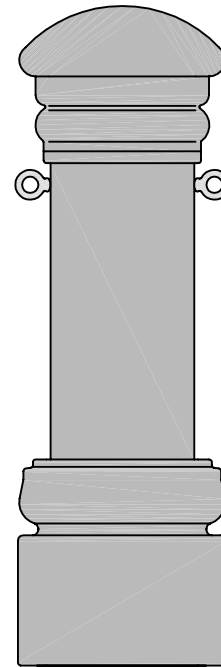


American Bollard



Weights:
 AIC-157 = 32 lbs.
 AIC-8393 = 96 lbs.
 Assembly w/Pipe = 220 lbs.



Shown here with
Optional eyebolts

Notes:

- 1) Bollard is provided as shown.
- 2) Embedment details are for reference illustration only.
- 3) Optional eyebolts may be added for chains (call for pricing).
- 4) Overall height may be adjusted (call for pricing).
- 5) Available as components or assembled unit.
- 6) Assembled units are shipped primed.
- 7) This bollard is part of the Westbury Bollard Series (See drawings AIC-WBB and AIC-757/9101)

Rev. 1-6-09

AIC-757/9101 Westbury "A" Bollard
(shown w/ optional eyebolts)

AIC-157/8393 Westbury "B" Bollard

THIS DRAWING IS NOT DRAWN TO SCALE

THIS DRAWING IS AVAILABLE IN AUTOCAD FORMAT

MATERIAL USED IS CAST IRON UNLESS OTHERWISE SPECIFIED.

Due to the casting process actual measurements may vary slightly.

AIC Architectural Iron Company			
104 Ironwood Court / P.O. Box 125 Milford, PA 18337			
800-442-IRON/4766		Fax: 570-296-IRON/4766	
www.architecturaliron.com		E-mail: info@architecturaliron.com	
Westbury Bollard Series			
Drawing No. AIC-WBB	Drafted By. B. Hale	Checked By. D.Q.	Date 04/17/06
Part Number AIC-1578393DB		Part Number AIC-WBB	

THIS DRAWING IS NOT DRAWN TO SCALE
 Copyright 2006-2009 Architectural Iron Company, Inc. All rights reserved.

THIS DRAWING IS AN INSTRUMENT OF PROFESSIONAL SERVICE AND SHALL REMAIN THE PROPERTY OF ARCHITECTURAL IRON COMPANY WHETHER THE PROJECT FOR WHICH IT IS PREPARED IS EXECUTED OR NOT. NO CHANGES, ALTERATIONS, ADDITIONS, OR DELETIONS MAY BE MADE EXCEPT BY ARCHITECTURAL IRON COMPANY. THIS DRAWING SHALL NOT BE REPRODUCED BY ANYONE ON OTHER PROJECTS. FOR ADDITIONS TO THIS PROJECT, OR FOR COMPLETION OF THIS PROJECT BY OTHERS WITHOUT WRITTEN CONSENT.

This drawing is available in AutoCad format.

Material used is cast iron unless otherwise specified.

Due to the casting process actual measurements may vary slightly.



Architectural Iron Company

104 Ironwood Court / P.O. Box 126
 Milford, PA 18337

800-442-IRON/4766

Fax: 570-296-IRON/4766

www.architecturaliron.com

E-mail: info@architecturaliron.com

Westbury 'B' Bollard - Direct Burial

Drawing No. AIC-1578393DB	Drafted By. B. Hale	Checked By. D.Q.	Date 08/02/06	Part Number AIC-1578393DB
------------------------------	------------------------	---------------------	------------------	------------------------------